

SAK-22-1/3

POWER LINE FILTERS IN PLASTIC SHELL



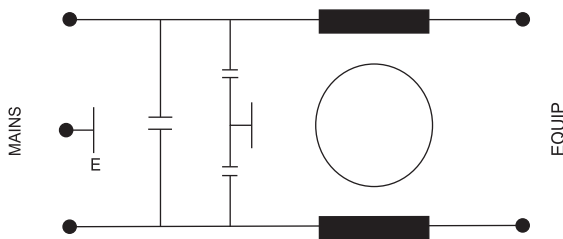
In Conformation with
EMC Directive 2014/30/EU
Low Voltage Directive 2014/35/EU

RoHS
Compliant

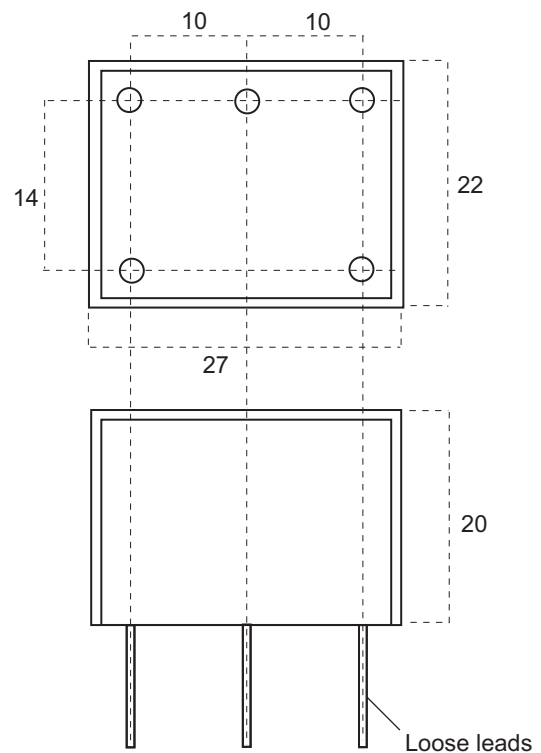
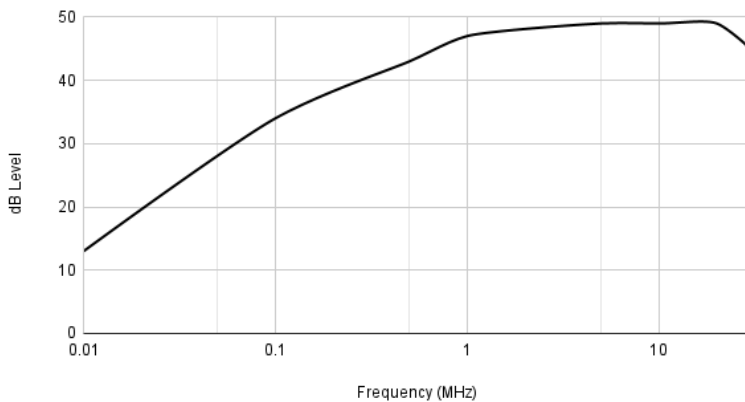
SPECIFICATIONS

Rated Voltage :	250V, 50/60Hz
Rated current :	1A at room temp 40 C
Test Voltage :	2000V ac between Mains terminals shorted together & earth for 2 Secs
Insulation Resistance :	> 100 M Ohm between mains terminals shorted together & earth at 500 V DC.
Leakage Current :	2 * 0.2 mA max at 250V, 50Hz.
Operating Temperature Range :	0 to 85 Celcius .

CIRCUIT DIAGRAM



Common Mode Insertion Loss



MATL : PLASTIC

DRG-REF: M1-0924

E-mail: sakura.rane@gmail.com

Visit Us: www.sakuraindia.com

Mobile: +91 98693 32286

E-mail: sakuraradhika@gmail.com

Whatsapp : +91 98204 26920

Contact
Us