

SAK-361-1/3

POWER LINE FILTER WITH IEC 320 C 14 PLUG & FUSE



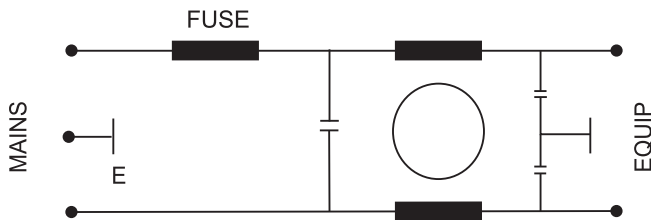
In Conformation with
EMC Directive 2014/30/EU
Low Voltage Directive 2014/35/EU

RoHS
Compliant

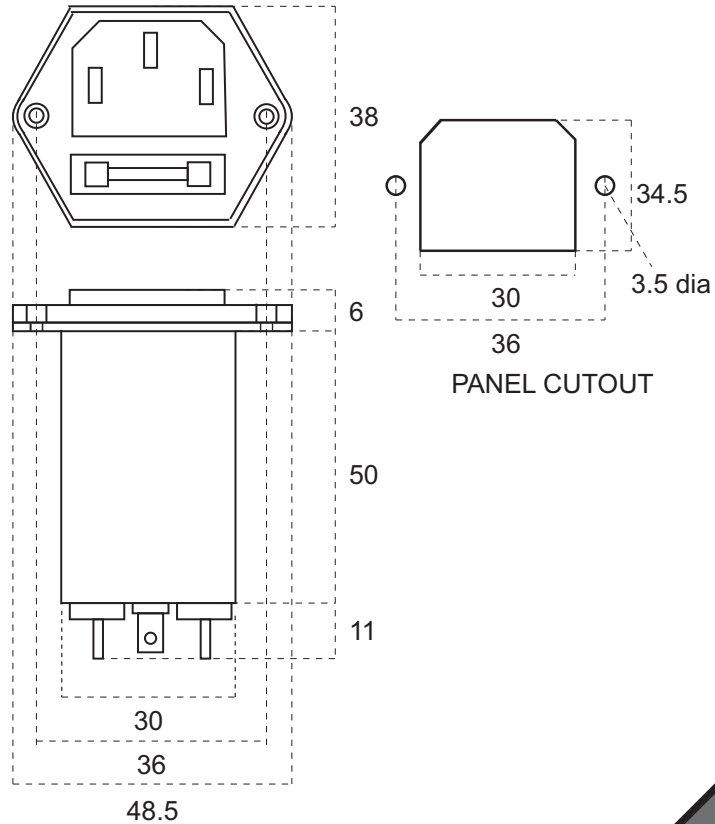
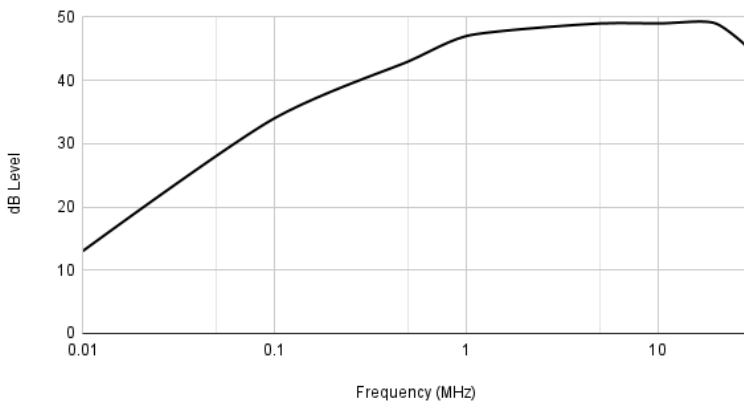
SPECIFICATIONS

| | |
|--------------------------------|---|
| Rated Voltage : | 250V, 50/60Hz |
| Rated current : | 1A at room temp 40 C |
| Test Voltage : | 2000V dc between Line to earth for 2 Secs. |
| Insulation Resistance : | >100 M Ohm between mains terminals shorted together & earth at 500 VDC. |
| Leakage Current : | 2 * 0.2 mA max at Normal Condition. |
| Temperature Range : | 0 to 85 C |

CIRCUIT DIAGRAM



Common Mode Insertion Loss



Material : MS, Plating : Nickel

DRG-REF: M1-0924

E-mail: sakura.rane@gmail.com

Visit Us: www.sakuraindia.com

Mobile: +91 98693 32286

E-mail: sakuraradhika@gmail.com

Whatsapp : +91 98204 26920

Contact
Us