

SAK-DRV-180/04

3 PHASE 3 WIRE POWER LINE FILTER FOR AC DRIVE



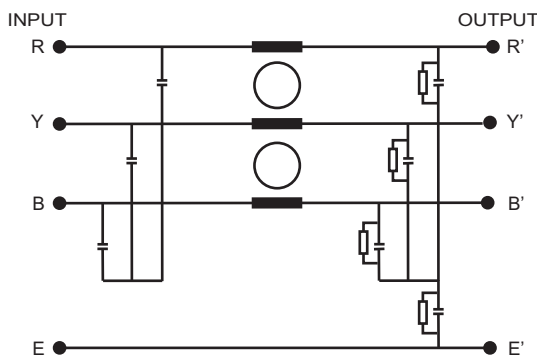
In Conformation with
EMC Directive 2014/30/EU
Low Voltage Directive 2014/35/EU

RoHS
Compliant

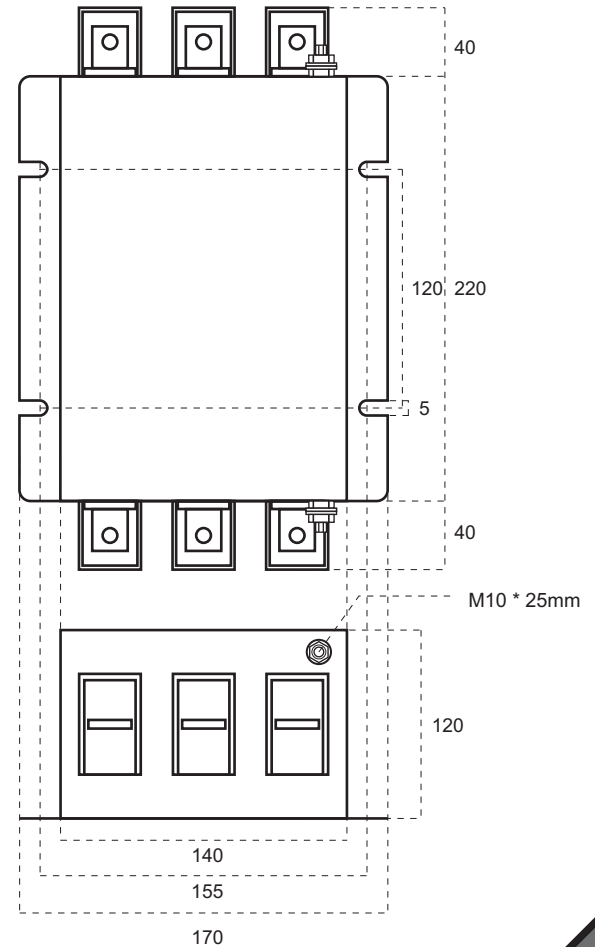
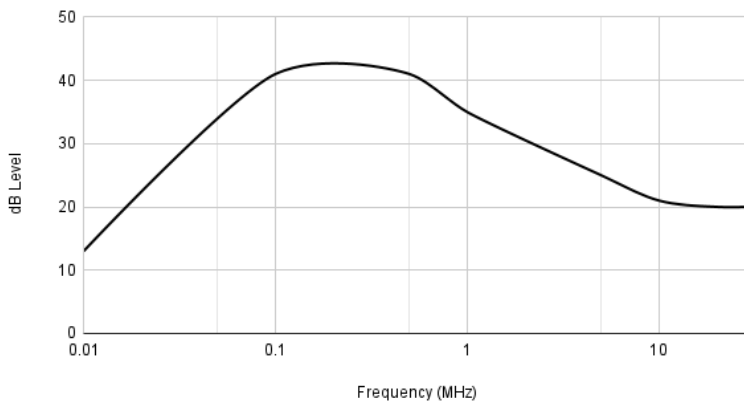
SPECIFICATIONS

| | |
|----------------------------|--|
| Rated Voltage : | 440V,3 PH,3 WIRE,50/60Hz |
| Rated current : | 180A at room temp 40 C |
| Test Voltage : | 2000V dc between Line to earth for 2 Secs. |
| Leakage Current : | 4 mA max at Normal Condition. |
| Temperature Range : | 0 to 85 C |

CIRCUIT DIAGRAM



Common Mode Insertion Loss



Material : MS, Plating : Nickel

DRG-REF : M2-0924

E-mail: sakura.rane@gmail.com

Visit Us: www.sakuraindia.com

Mobile: +91 98693 32286

E-mail: sakuraradhika@gmail.com

Whatsapp : +91 98204 26920

Contact
Us