

### SAK-DRV-200/04

3 PHASE 3 WIRE POWER LINE FILTER FOR AC DRIVE



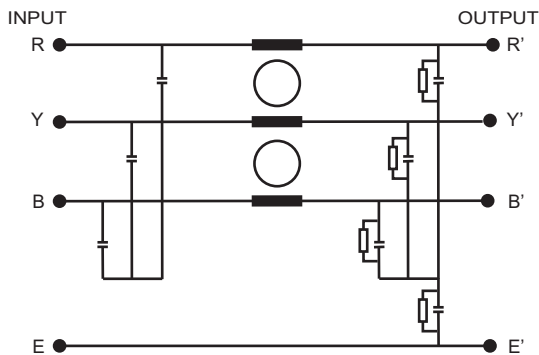
In Conformation with  
EMC Directive 2014/30/EU  
Low Voltage Directive 2014/35/EU

RoHS  
Compliant

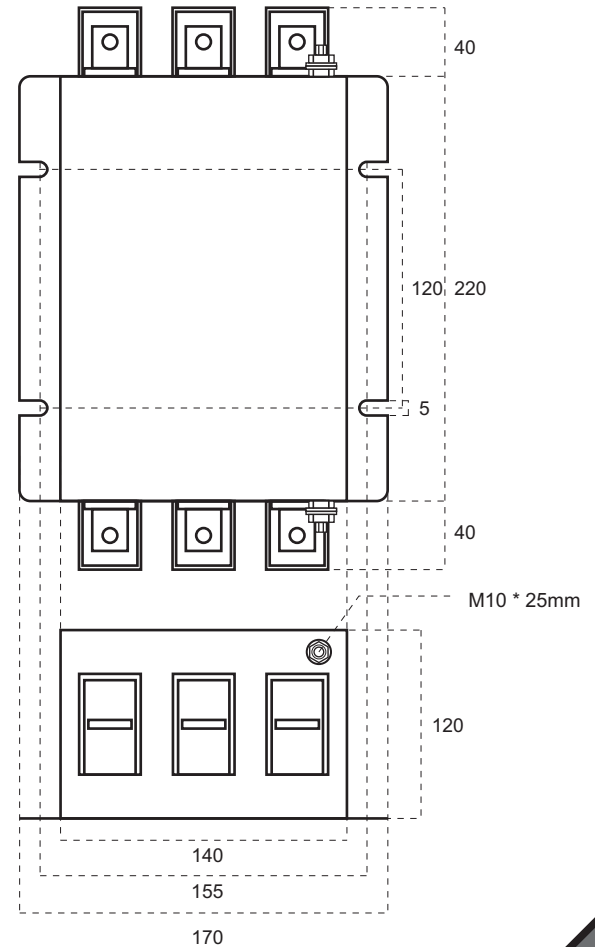
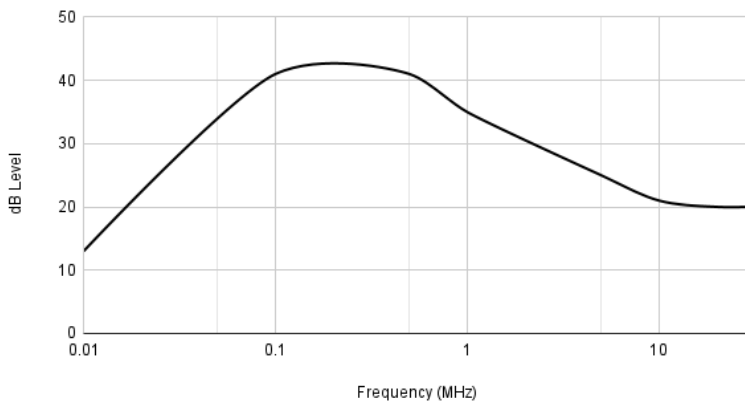
#### SPECIFICATIONS

<b>Rated Voltage :</b>	440V,3 PH,3 WIRE,50/60Hz
<b>Rated current :</b>	200A at room temp 40 C
<b>Test Voltage :</b>	2000V dc between Line to earth for 2 Secs.
<b>Leakage Current :</b>	4 mA max at Normal Condition.
<b>Temperature Range :</b>	0 to 85 C

#### CIRCUIT DIAGRAM



#### Common Mode Insertion Loss



Material : MS, Plating : Nickel

DRG-REF : M2-0924

E-mail: sakura.rane@gmail.com

Visit Us: www.sakuraindia.com

Mobile: +91 98693 32286

E-mail: sakuraradhika@gmail.com

Whatsapp : +91 98204 26920

Contact  
Us