

SAK-DRV-250/04

3 PHASE 3 WIRE POWER LINE FILTER FOR AC DRIVE



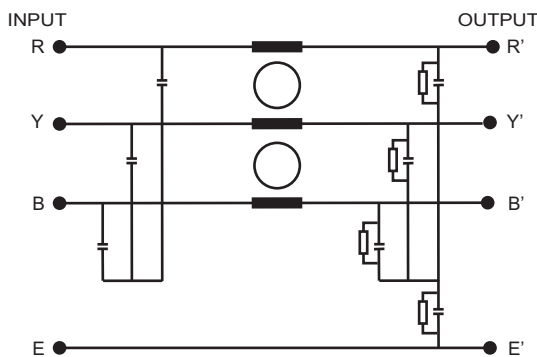
In Conformation with
EMC Directive 2014/30/EU
Low Voltage Directive 2014/35/EU

RoHS
Compliant

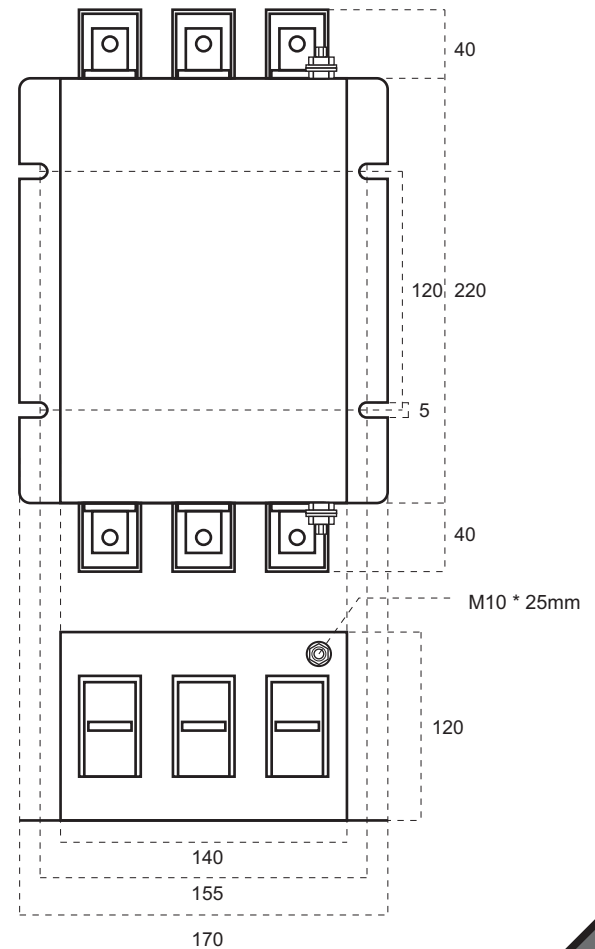
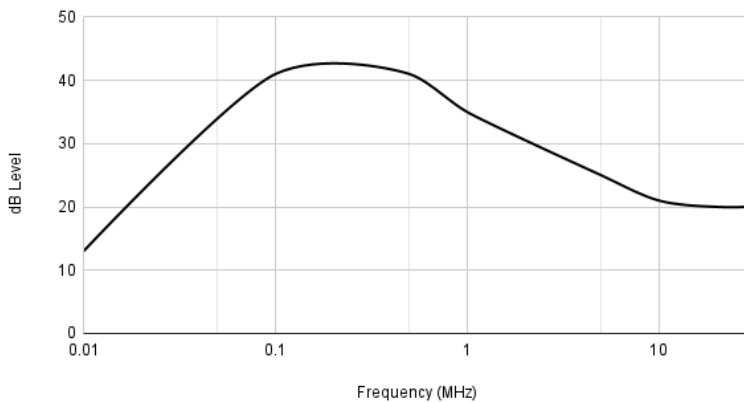
SPECIFICATIONS

Rated Voltage :	440V,3 PH,3 WIRE,50/60Hz
Rated current :	250A at room temp 40 C
Test Voltage :	2000V dc between Line to earth for 2 Secs.
Leakage Current :	4 mA max at Normal Condition.
Temperature Range :	0 to 85 C

CIRCUIT DIAGRAM



Common Mode Insertion Loss



DRG-REF : M2-0924

E-mail: sakura.rane@gmail.com

Visit Us: www.sakuraindia.com

Mobile: +91 98693 32286

E-mail: sakuraradhika@gmail.com

Whatsapp : +91 98204 26920

Contact
Us